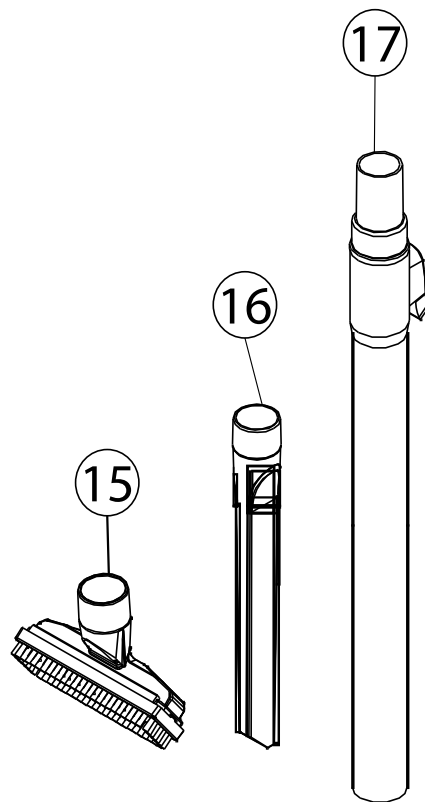
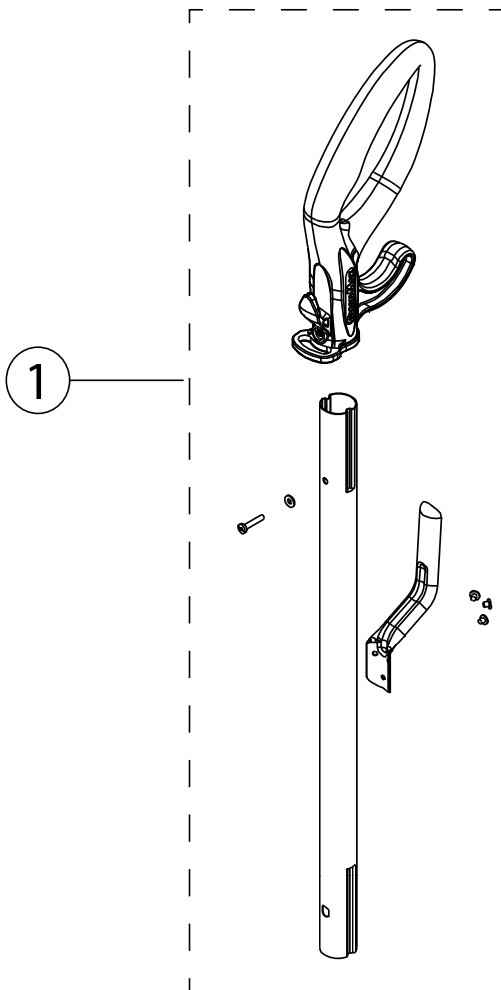
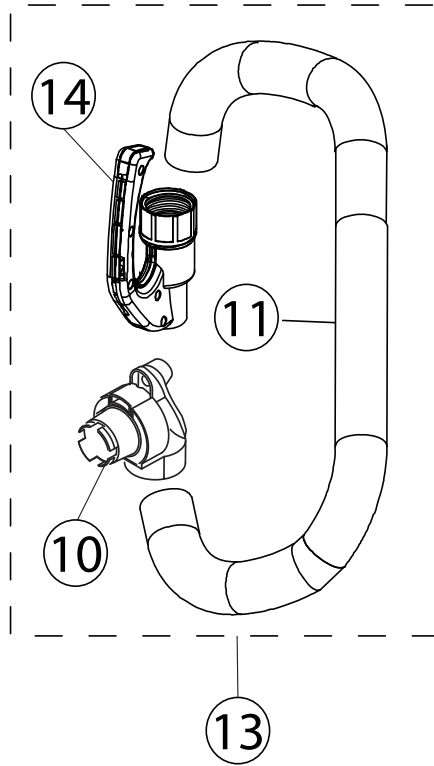


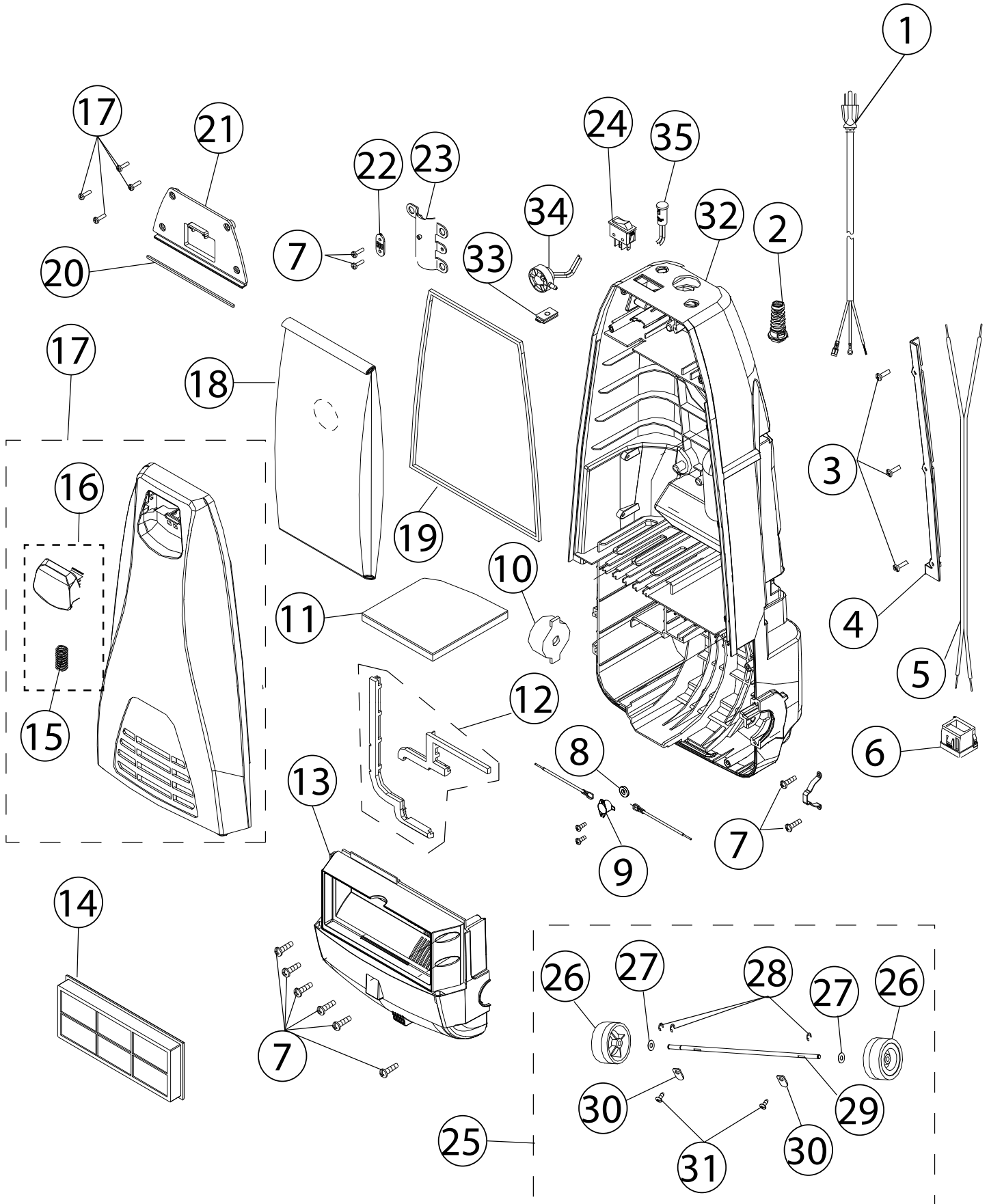
# TITAN PARTS BOOK

TC6000.2 MODEL



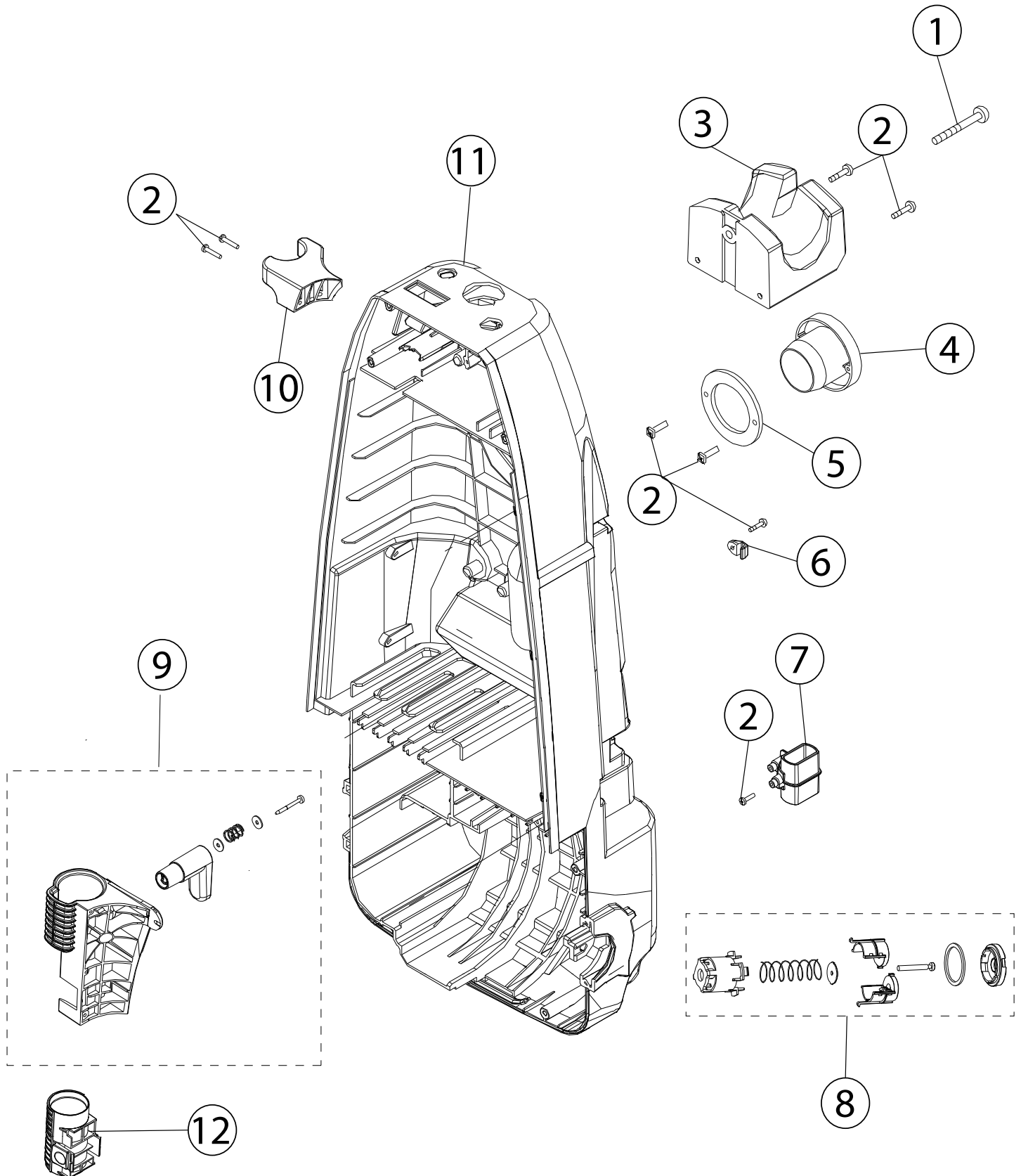


<b>KEY</b>	<b>PART NUMBER</b>	<b>DESCRIPTION</b>
1	C609-2000	Looped Handle Assembly
13	CMQD-HOSE	Quick Draw Hose Assembly
14	53.151	Quick Draw Hose Handle
15	C625-0118	Upholstery Tool with Natural Brush
16	B625-0106	Crevice Tool
17	C625-0104	Quick Draw Wand Assembly (Black)

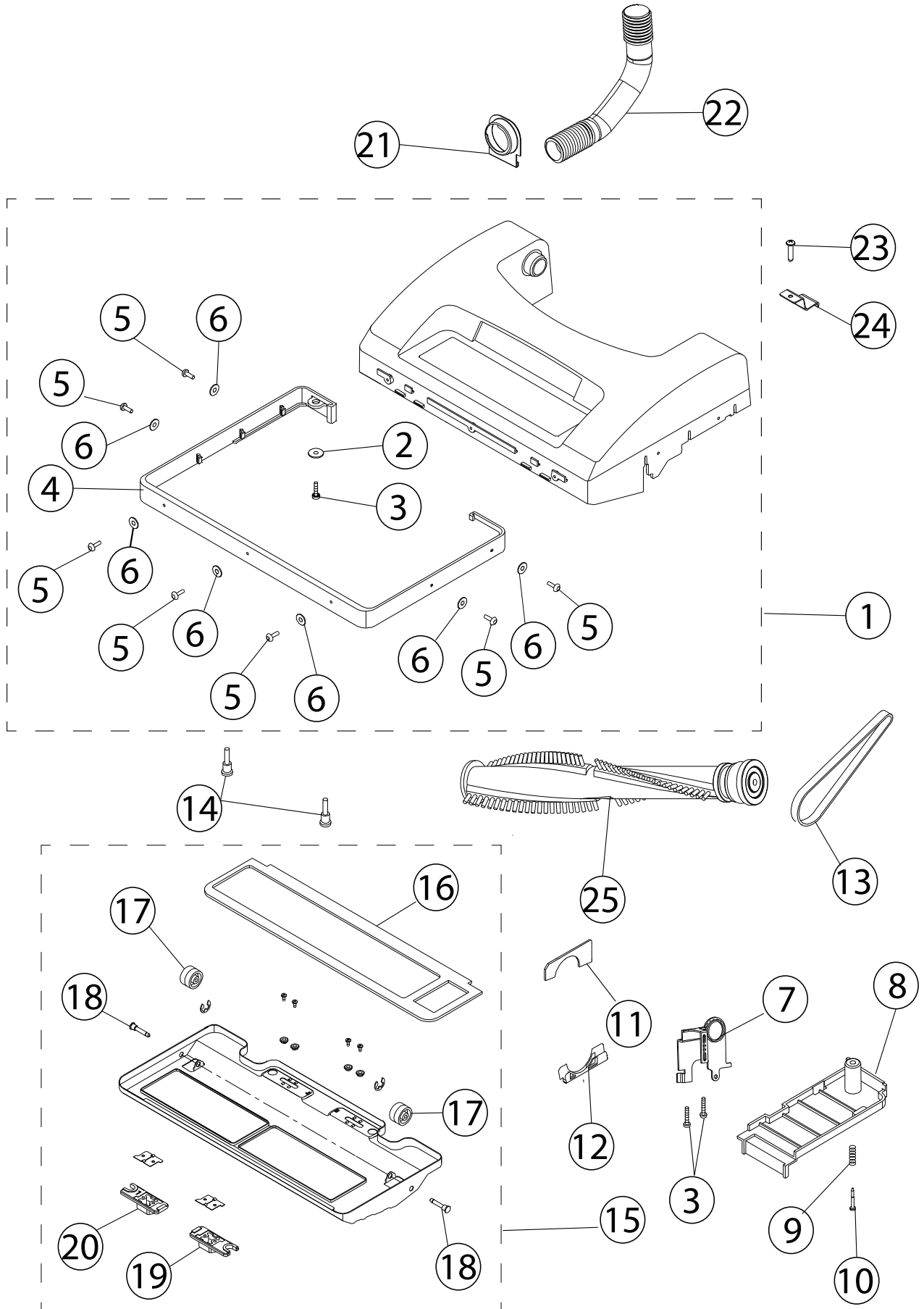


**MAIN BODY FRONT****TC6000.2**

<b>KEY</b>	<b>PART NUMBER</b>	<b>DESCRIPTION</b>
1	14.062	Power Coed 40ft.Red
2	X1102	Cord Strain Relief
3	A732-7705	Screw 8/32 x 3/8
4	54.129	Wire Harness Cover
5	B224-3014B	Motor Cord
6	A732-4114	Wire Bushing
7	A732-8314	Screw Hi Lo #8 x 5/8
8	B333-0600	Thermal Switch Seal
9	B333-0400B	Thermal Switch Manual Rest
10	B017-0214	Motor Compartment Bushing
11	CMPS-SF	Secondary Filter (Bulk)
12	C609-5000	Motor Cover Seal Kit
13	B625-0109	Motor Cover (Black Replacement)
14	T4-HEPA	HEPA Exhaust and Secondary Filter Set
15	54.123	Dust Cover Latch Spring
16	B625-0107	Dust Cover Latch w/ Spring
17	C625-0107	Dust Cover Assembly (Black Replacement)
18	TUV-H	HEPA Bag (6 Pack)
19	54.134	Dust Compartment Seal
20	54.128	Switch Cover Seal
21	54.131	Switch Cover
22	B332-0014	Cord Restraining Strap
23	B333-0513	Handle Fitting
24	25.104	On/Off Switch
25	54.127	Wheel Axle Assembly
26	54.021	Rear Wheel 59mm
27	A732-6500	Nylon Washer 25mm
28	A732-0300	E Clip 5mm
29	54.135	Rear Wheel Axle
30	54.136	Axle Clamp
31	A732-8500	Axle Flat Screw
32	C625-0106	Dust Compartment
33	B227-0014	Pressure Switch Mount
34	B227-1200	Pressure Switch
35	C434-0100	Full Bag Indicator

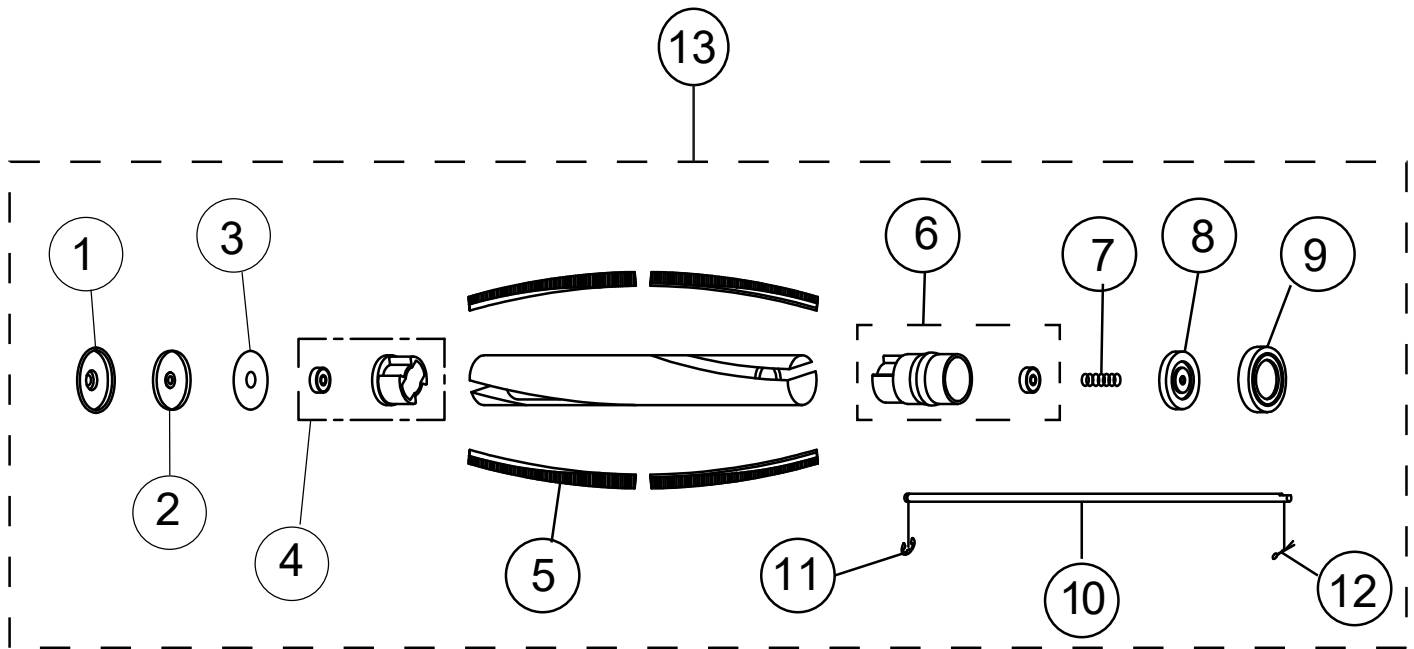


<b>KEY</b>	<b>PART NUMBER</b>	<b>DESCRIPTION</b>
1	A232-0100	Handle Screw
2	A732-7705	Screw 8/32 x 3/8
3	54.140	Hose Hanger /Easy Carry Handle
4	89.855	Bag Inlet
5	Z19	Suction Inlet Gasket
6	B626-1414B	Upholstery Tool Clip
7	B625-0113	Crevice Tool Holder
8	CM021021	Pressure Relief Valve
9	CM01163	Lower Wand Holder and Cord Hook
10	54.857	Upper Wand Holder
11	C625-0106	Dust Compartment
12	CMQD-CO	Clean Out Cuff

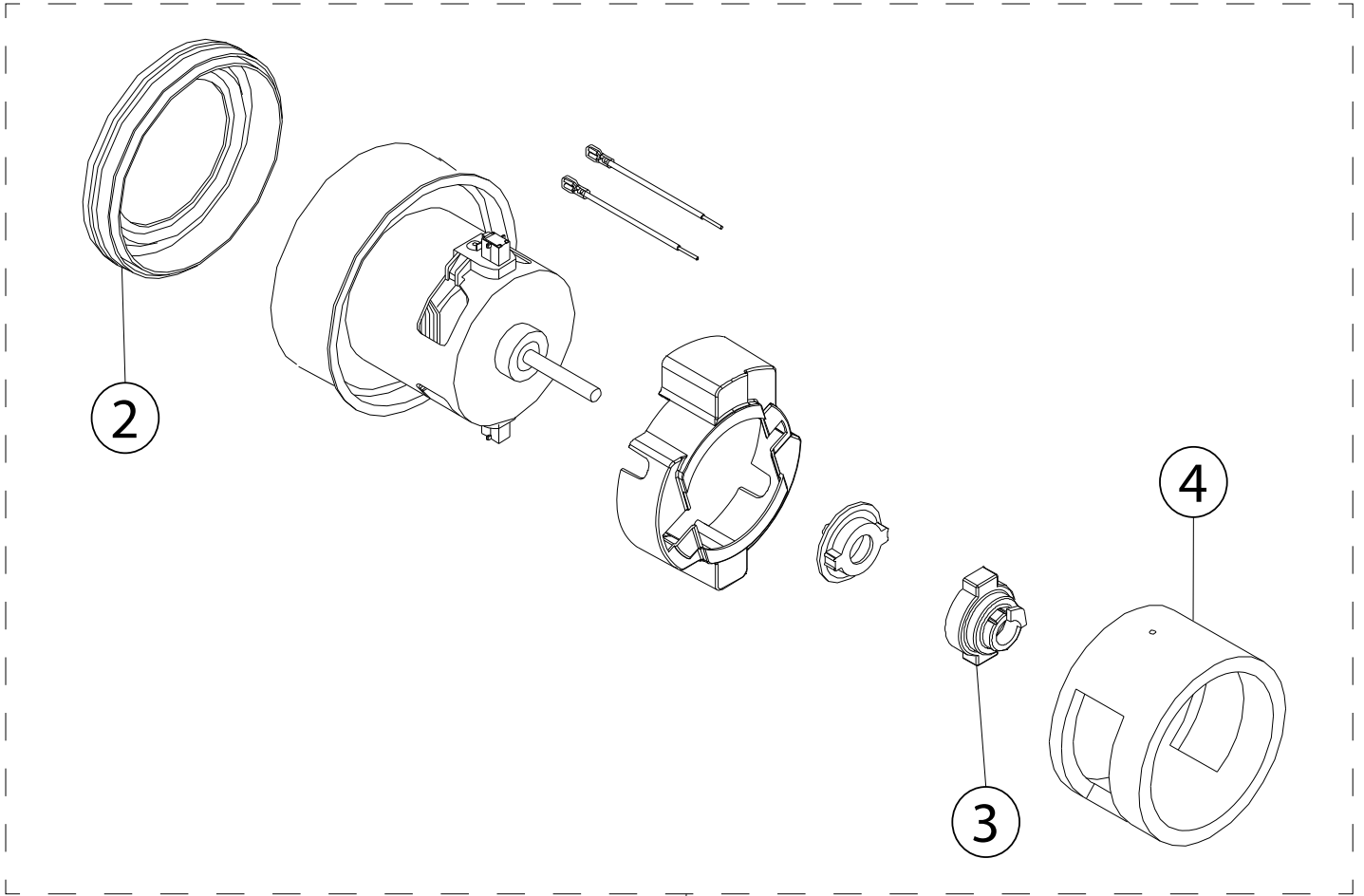




<b>KEY</b>	<b>PART NUMBER</b>	<b>DESCRIPTION</b>
1	C625-0108	Nozzle Cover with Furniture Guard (Black Replacement)
2	A430-0405	Washer
3	A732-8314	Screw HI Lo #8x5/8
4	B625-0108	Furniture Guard Clear
5	BA00943000	Rivet for Furniture Guard
6	004300032	Washer for Furniture Guard
7	B020-0200	Pedal Frame
8	CM011006	Swivel Belt Cover
9	CM031005	Swivel Belt Cover Spring
10	CM031004	Swivel Belt Cover Screw
11	A09	Felt Packing
12	B017-1200	Vented Support Fitting
13	T4-B2	Belt 2 Pack
14	CM011012	Baseplate Stud
15	CM011007	Baseplate Assembly
16	CM031001	Baseplate Seal
17	B010-1913	Baseplate Wheel
18	B010-0500	Baseplate Wheel Axle
19	CM011008	Baseplate Latch Left
20	CM011009	Baseplate Latch Right
21	A07	Hose Fitting
22	CMQD-NOZHOSE	Quick Draw Nozzle Hose
23	CM031000	Handle Release Spring Screw
24	53.088B	Handle Release Spring
25	D012-0500D	Metal Agitator Assembly *Agitator Schematic on Next Page*



KEY	PART NUMBER	DESCRIPTION
1	B012-0214	Rubber End Cover Left
2	B012-0700	End Cap Left
3	B012-0600	Agitator Bearing Felt Cover
4	C012-1500	Agitator Bearing Holder Assembly
5	B012-2400B	10.3MM Red & Gold Nylon Brush Strip
6	D012-0914	Non Clutch Pulley with Bearing
7	B624-0100	Spacing Spring
8	B012-0800	End Cap Right
9	B012-0114	Rubber End Cover Right
10	B012-1000	Agitator Shaft
11	A732-0200	E-Clip
12	A732-0400	Agitator Spring Clip
13	D012-2500	Agitator Assembly Non Clutch



1

KEY	PART NUMBER	DESCRIPTION
1	C625-0103	Motor Assembly
2	B113-0230	Rear Motor Mount
3	B123-1300	Metal Pivot
4	B123-1900	Sound Suppressor