

TITAN T750

6-Quart Backpack Vacuum

User's Guide

2 - 3	Safety Instructions
3	Product View
4 - 5	Operations
6	Maintenance & Care
7	Troubleshooting
8	Parts List
9	Warranty



IMPORTANT SAFETY INSTRUCTIONS

When using an electrical appliance, basic precautions should be observed, including the following:

READ ALL INSTRUCTIONS BEFORE USING THE T750

Always connect to a polarized outlet (left slot is wider than right). Unplug from outlet when not in use and before conducting maintenance.



WARNING:

Carefully read the Safety Instructions in this manual. It is important to follow the instructions to PREVENT THE POSSIBILITY OF FIRE, ELECTRIC SHOCK, BURN, OR INJURY to the user and/or DAMAGE to the T750.

Risk of INJURY

- **TURN OFF** all controls before plugging or unplugging the T750 or before connecting or disconnecting motorized nozzle.
- **DO NOT** allow children to operate vacuum cleaner or use as a toy. Close attention is necessary when used by or near children.
- To reduce the risk of inhaling toxic vapors, **DO NOT** vacuum up toxic or hazardous material (chlorine bleach, ammonia, drain cleaner, paint thinner, etc.).
- To avoid injury, **DO NOT** operate the T750 in bare feet or when wearing open-toe shoes or sandals. Keep hair, loose clothing, fingers, and all parts of body away from openings and moving parts.
- Use extra care when cleaning stairs to avoid injury by falling or tripping.

Risk of FIRE

- **DO NOT** leave vacuum cleaner unattended when it is plugged in.
- Keep cord away from heated surfaces.
- **DO NOT** use the T750 in an enclosed space filled with, flammable dust, or other explosive vapors.
- **DO NOT** put any object into openings or use with any opening blocked. Keep openings free of dust, lint, hair, and anything that may reduce air flow.

- Sparks inside the motor can ignite flammable vapors or dust. To reduce the risk of fire or explosion, **DO NOT** pick up flammable materials (lighter fluid, gasoline, kerosene, etc.) or use in presence of explosive liquids or vapors.
- **DO NOT** pick up anything that is burning or smoking, such as cigarettes, matches, or hot ashes.

Risk of SHOCK

- **DO NOT** use outdoors or on wet surfaces. Use only on DRY, INDOOR surfaces.
- **DO NOT** use with damaged cord or plug.
- If appliance is not working as it should, has been dropped, damaged, left outdoors, or dropped into water, have it repaired by an authorized technician.
- **DO NOT** unplug by pulling on cord. To unplug, grasp the plug, not the cord.
- **DO NOT** handle vacuum cleaner or plug with wet hands.

Risk of DAMAGE

- **DO NOT** use without filter or dust bag in place.
- **DO NOT** pull or carry by cord, use cord as a handle, close a door on cord, or pull cord around sharp edges or corners. **DO NOT** run any part of the T750 over cord.
- Frequently empty bag when picking up very fine materials, such as powder, to prevent the T750 from overheating.
- **DO NOT** vacuum up hard or sharp objects such as glass, nails, screws, coins, etc. as they may cause damage to the hose, vacuum bag, or the motor.
- Use **ONLY** manufacturer's recommended attachments.
- **DO NOT** use for any purpose other than described in the user's guide.

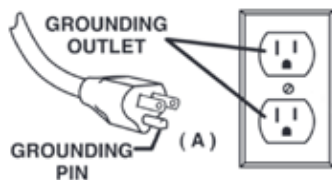
SAVE THESE INSTRUCTIONS

THIS MODEL IS FOR COMMERCIAL USE

GROUNDING INSTRUCTIONS

This appliance **MUST** be connected to a grounded wiring system. If it should malfunction or break down, grounding provides a safe path of least resistance for electrical current, reducing the risk of electrical shock.

The cord for the T750 has an equipment-grounding conductor and a grounding plug. It **MUST ONLY BE PLUGGED** into an outlet that is properly installed and grounded in accordance with all local codes and ordinances.



WARNING:

Improper connection of the equipment-grounding conductor can result in a risk of electrical shock. Check with a qualified electrician or service person if you are not sure if the outlet is properly grounded.

DO NOT MODIFY THE PLUG. If the plug will not fit the outlet, have a proper outlet installed by a qualified electrician. The T750 is designed for use on a nominal 120-volt circuit, and has a grounding attachment plug that looks like the plug in the drawing on the right. Make certain that the T750 is connected to an outlet having the same configuration as the plug. No plug adapter should be used with the T750.

PRODUCT VIEW



OPERATIONS

1. Release the two latches and lift off the lid to ensure that the micro filter cloth bag and the disposable bag are inside. Once checked replace the lid back and lock the latches.
2. Both the micro filter cloth bag and disposable bag filter the air while holding all debris. The micro filter cloth bag with its rubber top provides the seal for the vacuum while also filtering the air. Replace or empty each as necessary.
3. Make sure lid is locked on the vacuum. Take the vacuum hose and push it into round opening on top of lid.
4. Connect the extension cord to the power cord located by the switch box.
5. The receptacle on the switch box can be used with the optional powerhead for deep cleaning.
6. Put backpack on and adjust shoulder straps and waist belt until backpack is comfortable. The harness is made for a custom fit.
7. Attach hose to commercial wand. Attach desired tool to bottom of wand by loosening nut and pushing in tool. Tighten nut until tool is in place. Tool will swivel when using side to side motion.

NOTE: Never take nut off wand or risk losing metal ring inside nut. The metal ring holds tool in place in its slotted groove.

8. Plug the extension cord into a properly installed outlet.
9. Press the power switch located on the switch box to "ON" or "OFF" position to operate.



OPERATIONS (continued)

10. When vacuuming, use a forward and backward motion.

11. The TITAN T750 comes with many different tools:

A. Crevice tool — to clean tight spot areas



B. Bare floor tool — to clean floors, walls and ceilings



C. Rug tool — to clean rugs



D. Dusting brush — for dusting and cleaning walls



E. Upholstery tool



F. 2-piece Aluminum wand



MAINTENANCE AND CARE

To change the filter bag:

1. Shut off power switch and unplug all cords from outlet and vacuum.
2. Check disposable bag to see if it is full. Always change disposable bag when full, discard and replace with a new one.
3. Do not reuse the disposable bag — this affects the filtration of the backpack.
4. Always check the micro filter cloth bag each time when you replace the disposable bag. Clean or change it as necessary. Clean the cloth bag by simply shaking it well.

NOTE: Very fine powders and substances may clog the cloth bag. Please remember to empty bag often so the T750 can efficiently operate.



WARNING:

To reduce the risk of fire, electric shock, burn, or injury, turn power **OFF** and disconnect plug from electrical outlet before performing maintenance or troubleshooting.



Power cord and storage:

5. Always unwind the extension cord completely before vacuuming.
6. Never stretch or pull cord tightly, this will damage the cord and create a danger.
7. Always unplug the T750 when not in use.
8. Always check condition of all electrical cords before use. Never use cord if it is ripped or has a tear.
9. Unplug extension cord and wrap loosely when not in use.
10. When backpack vacuum is not in use, always store in a dry area or place.

NOTE: DO NOT repair if you are not an authorized technician familiar with the TITAN T750 Commercial Backpack. DO NOT lubricate motor. It is equipped with sealing bearings.

TROUBLESHOOTING



WARNING:

To reduce the risk of fire, electric shock, burn, or injury, turn power **OFF** and disconnect plug from electrical outlet before performing maintenance or troubleshooting.

Low suction or poor pick up

Possible causes

1. Disposable dust bag is full

2. Wand is not properly installed

3. Tool not working properly

4. Air path obstructed

Remedies

1. Dispose current disposable bag and replace with new bag

2. Secure wand properly to ensure there are no air leaks

3. Make sure tool is on the wand properly and tightly

4. Check for any air flow obstructions

Vacuum motor is not working

Possible causes

1. Vacuum is not plugged in

2. Electrical outlet is not working

3. Motor thermal protector activated due to blockage

4. ON/OFF switch faulty

5. Motor defective

Remedies

1. Check to make sure vacuum is plugged in properly

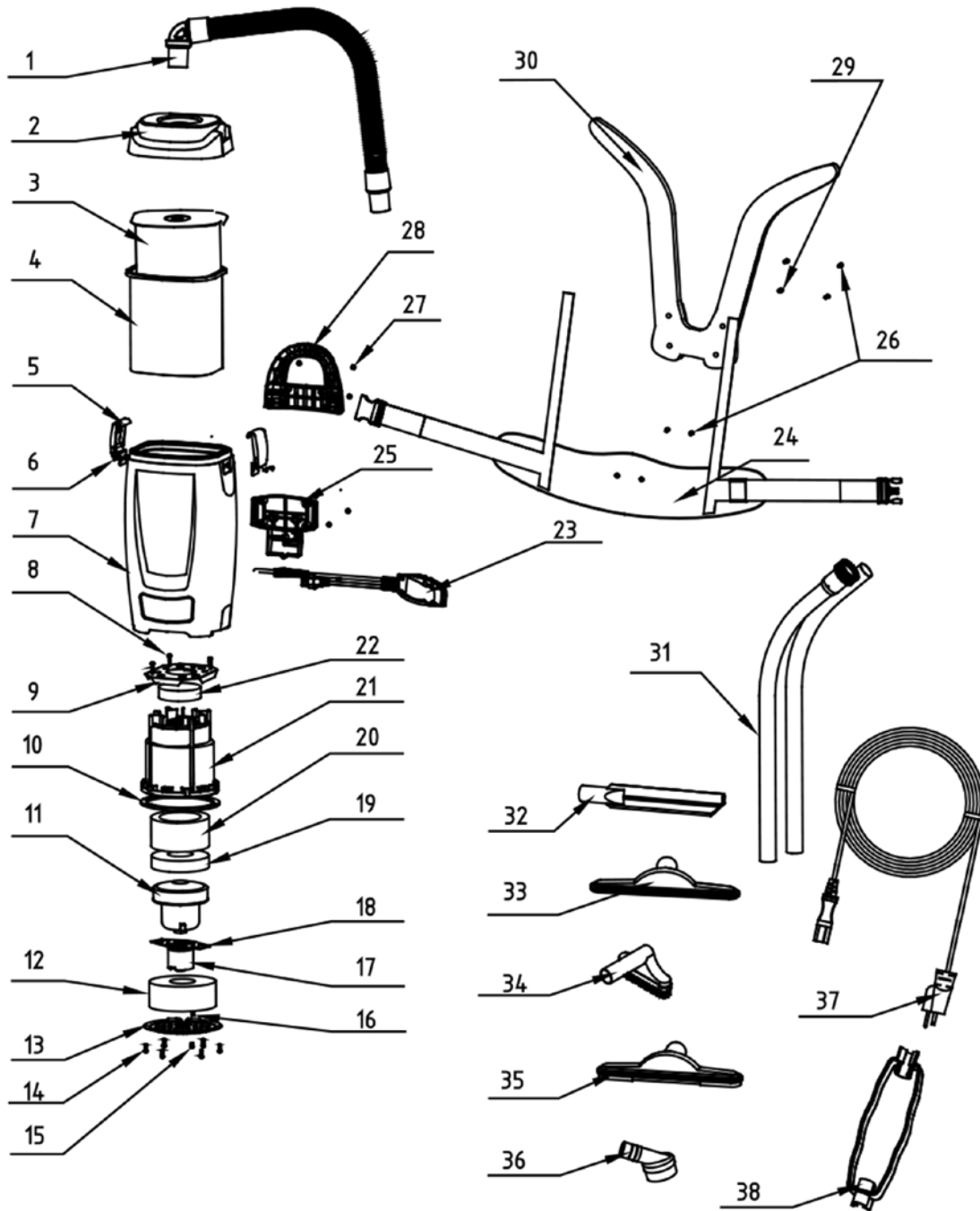
2. Check electrical source

3. Allow the T750 to cool down, then check the vacuum ducts and filter for blockage

4. Contact an authorized technician

5. Contact an authorized technician

PARTS LIST



PARTS LIST FOR T750 BACKPACK

No.	Part No.	Description	No.	Part No.	Description	No.	Part No.	Description	No.	Part No.	Description
1	14-1123-61	Hose assv	11	17-8515-02	Motor	21	17-8924-07	Motor shroud	31	14-1904-66	2PC Aluminum wand
2	17-2520-08	Lid	12	17-8900-05	Exhaust sponge	22	17-2336-02	Pre-motor filter	32	14-1802-61	Crevice tool
3	17-2430-07	Paper bag	13	17-8902-03	Bottom cover	23	17-9310-07	Switch box assy	33	14-1517-08	Bare floor tool
4	17-2200-05	Cloth bag	14	17-8904-01	Bottom cover screw	24	17-7840-00	Waist belt	34	14-1702-05	Upholstery tool
5	17-7502-09	Lid latch assy	15	17-8906-09	Grounding screw	25	17-7841-09	Waist belt mounting plate	35	14-1411-05	Rug tool
6	17-7503-08	Lid latch screw	16	17-8908-07	Grounding nut	26	17-7542-01	Waist belt screw	36	14-1607-09	Dusting brush
7	17-7835-07	Body	17	17-8914-09	Motor mount	27	17-6410-02	Carry handle screw	37	14-5411-06	Cord
8	17-2523-05	Bag support screw	18	17-8916-07	Thermal baffle	28	17-6310-03	Carry handle	38	17-5600-04	Cord Clip
9	17-2522-06	Bag support	19	17-8918-05	Motor seal	29	17-7543-00	Shoulder strap screw			
10	17-8920-01	Motor shroud seal	20	17-8922-09	Noise muffle sponge	30	17-7842-08	Shoulder strap			

THE TITAN T750 LIMITED WARRANTY

WHAT THIS WARRANTY COVERS

Your TITAN T750 commercial cleaner is warranted to be free from all defects in material and workmanship in normal use FOR A PERIOD OF ONE YEAR. The warranty is granted only to the original purchaser of the cleaner. The warranty is subject to the following provisions.

WHAT THIS WARRANTY DOES NOT COVER

- **Parts of the cleaner that require replacement under normal use, such as bags, filters, and belts.**
- **Damages of malfunctions caused by negligence, abuse, or use not in accordance with the Owner's Guide.**
- **Defects or damages caused by unauthorized service or the use of other than TITAN parts.**

A defective cleaner or cleaner part that is covered by this warranty will be repaired or replaced at the distributor's option. As a matter of warranty policy, the consumer's purchase price will not be refunded.

Internet sales are not recognized. The warranty is null and void if the unit is purchased on eBay or any other non-authorized Internet site.

DISCLAIMER AND EXCLUSION OF OTHER WARRANTIES

EXCEPT FOR THE LIMITED WARRANTY AS EXPRESSLY SET FORTH IN WRITING ON THIS PAGE, NO EXPRESS OR IMPLIED WARRANTY WHATSOEVER IS BEING MADE WITH RESPECT TO THE GOODS, AND ARE HEREBY EXPRESSLY DISCLAIMED, INCLUDING (A) ANY EXPRESS OR IMPLIED WARRANTY OF MERCHANTABILITY; AND (B) ANY WARRANTY OF FITNESS FOR A PARTICULAR PURPOSE. THIS DISCLAIMER AND EXCLUSION OF WARRANTIES INCLUDE WARRANTIES, WHETHER EXPRESS OR IMPLIED BY LAW, CLAIMED TO ARISE OUT OF COURSE OF DEALING, COURSE OF PERFORMANCE, USAGE OF TRADE OR OTHERWISE.

For more information or to claim a warranty register at TitanVacs.com or call 1-844-202-9927.

Thank you for your recent purchase.

**T
I
T
A
N**

T750

TITAN T750

Aspiradora de Mochila 6-Quart

User's Guide

12-13 Instrucciones de Seguridad

13 Vista del Producto

14-15 Operaciones

16 Mantenimiento y Cuidados

17 Solución de Problemas

18 Lista de Piezas

19 Garantía



INSTRUCCIONES IMPORTANTES DE SEGURIDAD

Al usar un aparato eléctrico, se deben observar precauciones básicas, que incluyen las siguientes situaciones:

LEER TODAS LAS INSTRUCCIONES ANTES DE USAR LA ASPIRADORA T750

Siempre conectar a una toma de corriente polarizada (la ranura izquierda es más ancha que la derecha).
Desconectar del tomacorriente cuando no esté en uso y antes de realizar el mantenimiento.

ADVERTENCIA:

Lea atentamente las Instrucciones de Seguridad en este manual. Es importante seguir las instrucciones para EVITAR LA POSIBILIDAD DE INCENDIO, DESCARGA ELÉCTRICA, QUEMADURAS O LESIONES al usuario y/o DAÑOS a la aspiradora T750.

Riesgo de LESIONES

- **APAGUE** todos los controles antes de enchufar o desenchufar la aspiradora T750 o antes de conectar o desconectar la boquilla motorizada.
- **NO** permita que los niños operen la aspiradora o la usen como un juguete. Se requiere especial atención cuando niños usan o permanecen cerca del dispositivo.
- Para reducir el riesgo de inhalar vapores tóxicos, **NO** aspire material tóxico o peligroso (lavandina, amoníaco, limpiador de desagües, diluyentes de pintura, etc.).
- Para evitar lesiones, **NO** opere la aspiradora T750 con los pies descalzos o cuando use zapatos abiertos o sandalias. Mantenga el cabello, ropa suelta, dedos y todas las partes del cuerpo alejados de aberturas y partes móviles.
- Tenga especial cuidado al limpiar escaleras para evitar lesiones debidas a caídas o tropiezos.

Riesgo de INCENDIO

- **NO** deje la aspiradora desatendida cuando esté enchufada.
- Mantenga el cable alejado de superficies calientes.
- **NO** use la aspiradora T750 en un espacio cerrado lleno de polvo inflamable u otros vapores explosivos.
- **NO** coloque ningún objeto en las aberturas ni la use con ninguna abertura bloqueada. Mantenga

las aberturas libres de polvo, pelusas, cabello y cualquier cosa que pueda reducir el flujo de aire.

- Las chispas dentro del motor pueden encender vapores o polvo inflamables. Para reducir el riesgo de incendio o explosión, **NO** aspire materiales inflamables (líquido para encendedores, gasolina, queroseno, etc.) ni opere en presencia de líquidos o vapores explosivos.
- **NO** aspire nada que esté ardiendo o humeando, como cigarrillos, fósforos o cenizas calientes.

Riesgo de CHOQUE ELÉCTRICO

- **NO** usar al aire libre o en superficies mojadas. Use solo en superficies SECAS, INTERIORES.
- **NO** usar con el cable o enchufe dañado.
- Si la aspiradora no funciona como se espera, se ha caído, dañado, dejado al aire libre o caído al agua, procure un técnico autorizado.
- **NO** desenchufe tirando el cable. Para desconectar, agarre el enchufe, no el cable.
- **NO** manipule la aspiradora ni la enchufe con las manos mojadas.

Riesgo de DAÑOS

- **NO** usar sin filtro o bolsa de polvo en su lugar.
- **NO** jalar ni transportar tirando del cable, no usar el cable como manija, no cerrar una puerta sobre el cable, ni tire del cable alrededor de bordes o esquinas afiladas. **NO** desplazar ninguna parte de la aspiradora T750 sobre el cable.
- Vacíe la bolsa con frecuencia cuando recoja materiales muy finos, como polvo, para evitar que la aspirador T750 se sobrecaliente.
- **NO** aspirar objetos duros o afilados, como vidrio, clavos, tornillos, monedas, etc., ya que pueden dañar la manguera, la bolsa de la aspiradora o el motor.
- Utilizar **SOLO** los accesorios recomendados por el fabricante.
- **NO** usar con ningún otro propósito que no sea el descrito en la guía del usuario.

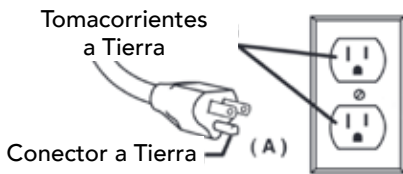
GUARDE ESTAS INSTRUCCIONES

ESTE MODELO ES PARA USO COMERCIAL

INSTRUCCIONES DE CONEXIÓN A TIERRA

Este electrodoméstico **DEBE** estar conectado a un sistema de conexión a tierra. Si funciona mal o se rompe, la conexión a tierra proporciona una ruta segura de menor resistencia a la electricidad, reduciendo el riesgo de descargas eléctricas.

El cable de la aspiradora T750 tiene un conductor y un enchufe de conexión a tierra. **SOLO DEBE ENCHUFARSE** a un tomacorriente que esté correctamente instalado y conectado a tierra de acuerdo con todos los códigos y ordenanzas locales.



ADVERTENCIA:

La conexión incorrecta del conductor de conexión a tierra del equipo puede provocar un riesgo de descarga eléctrica. Verifique con una persona de servicio o electricista calificado si no tiene la seguridad de que el tomacorriente está correctamente conectado a tierra.

NO MODIFIQUE EL ENCHUFE. Si el enchufe no encaja en el tomacorriente, haga que un electricista calificado instale uno adecuado. La aspiradora T750 está diseñada para usarse en un circuito nominal de 120 voltios y tiene un enchufe de conexión a tierra que parecido al enchufe que se muestra en la imagen a la derecha. Asegúrese de que la aspiradora T750 esté conectada a una tomacorriente que tenga la misma configuración que el enchufe. No se debe usar un adaptador de enchufe con la aspiradora T750.

VISTA DEL PRODUCTO



FUNCIONAMIENTO

1. Suelte los dos cierres y levante la tapa para asegurarse de que la bolsa de tela de microfiltro y la bolsa descartable estén en el interior del dispositivo. Una vez verificado, vuelva a colocar la tapa y bloquee los cierres.



2. Tanto la bolsa de tela de microfiltro como la bolsa descartable filtran el aire, al mismo tiempo que retienen todos los residuos. La bolsa de tela de microfiltro con su parte superior de goma proporciona el sello para la aspiradora y al mismo tiempo filtra el aire. Reemplace o vacíe cada una según sea necesario.



3. Asegúrese de que la tapa esté bloqueada en la aspiradora. Tome la manguera de aspiración y empújela hacia la abertura redonda en la parte superior de la tapa.

4. Conecte el cable de extensión al cable de alimentación ubicado junto a la caja del interruptor.

5. El receptáculo en la caja del interruptor se puede usar con el cabezal eléctrico opcional para obtener una limpieza profunda..

6. Póngase la mochila y ajuste las correas de los hombros y el cinturón hasta que la mochila se sienta cómoda. El arnés está pensado para un ajuste personalizado.



7. Conecte la manguera al tubo comercial. Conecte la herramienta deseada al final del tubo aflojando la tuerca y empujando la herramienta. Apriete la tuerca hasta que la herramienta esté en su lugar. La herramienta girará al usar un movimiento de lado a lado.

NOTA: Nunca quite la tuerca del tubo no arriesgue aflojar el anillo de metal dentro de la tuerca. El anillo de metal mantiene la herramienta en su lugar en su ranura.

FUNCIONAMIENTO (continua)

8. Conecte el cable de extensión a un tomacorriente instalado correctamente.
9. Presione el interruptor de alimentación ubicado en la caja del interruptor llevando a la posición "ON" u "OFF", según sea necesario para operar.
10. Al pasar la aspiradora, use un movimiento hacia adelante y hacia atrás.
11. La aspiradora TITAN T750 se presenta con muchas herramientas diferentes:

A. Boquilla rinconera — para limpiar áreas de puntos estrechos



B. Herramienta para pisos descubiertos — para limpiar pisos, paredes y techos



C. Herramienta para alfombras — para limpiar alfombras



D. Cepillo para quitar el polvo — para quitar el polvo y limpiar paredes



E. Herramienta de tapicería



F. Tubo de aluminio de 2 piezas




MANTENIMIENTO Y CUIDADOS

Para cambiar la bolsa del filtro:

1. Apague el interruptor de alimentación y desconecte todos los cables del tomacorriente y de la aspiradora.
2. Revise la bolsa descartable para ver si está llena. Siempre cambie la bolsa descartable cuando esté llena, descártela y reemplácela por una nueva.
3. No reutilice la bolsa descartable — esto afecta la filtración de la mochila.
4. Siempre revise la bolsa de microfiltro cada vez que reemplace la bolsa Limpie y cambie según sea necesario. Limpie la bolsa de tela simplemente agitándola bien.

NOTA: Polvos y sustancias muy finas pueden obstruir la bolsa de tela. Recuerde vaciar la bolsa con frecuencia para que la aspiradora T750 pueda funcionar de manera eficiente.

 **ADVERTENCIA:**

To reduce the risk of fire, electric shock, burn, or injury, turn power **OFF** and disconnect plug from electrical outlet before performing maintenance or troubleshooting.



Cable de alimentación y almacenamiento:

5. Desenrolle siempre el cable de extensión por completo antes de pasar la aspiradora.
6. Nunca estire o jale el cable con fuerza, eso podrá dañar el mismo y crear un peligro.
7. Siempre desenchufe la aspiradora T750 cuando no esté en uso.
8. Siempre verifique la condición de todos los cables eléctricos antes de usar. Nunca use el cable si está rasgado o tiene una rotura.
9. Desenchufe el cable de extensión y envuelva sin apretar cuando no esté en uso.
10. Cuando la aspiradora de mochila no esté en uso, almacenar siempre en un lugar o área seca.

NOTA: **NO repare si no es un técnico autorizado familiarizado con la Mochila Comercial TITAN T750. NO lubrique el motor. Está equipado con cojinetes de sellado.**

SOLUCIÓN DE PROBLEMAS



ADVERTENCIA:

Para reducir el riesgo de incendio, descargas eléctricas, quemaduras o lesiones, apague la alimentación y desconecte el enchufe del tomacorriente eléctrica, antes de realizar tareas de mantenimiento o solución de problemas.

Poca succión o aspiración débil

Causas posibles

1. La bolsa de polvo descartable está llena.
2. La vara no está instalada correctamente.
3. La herramienta no funciona correctamente.
4. Entrada/salida de aire obstruida

Soluciones

1. Deseche la bolsa descartable actual y sustituya por una nueva
2. Asegure el tubo correctamente para asegurarse de que no haya fugas de aire
3. Asegúrese de que la herramienta esté instalada correctamente y firmemente en el tubo
4. Compruebe si existen obstrucciones en el flujo de aire

El motor de aspiración no funciona

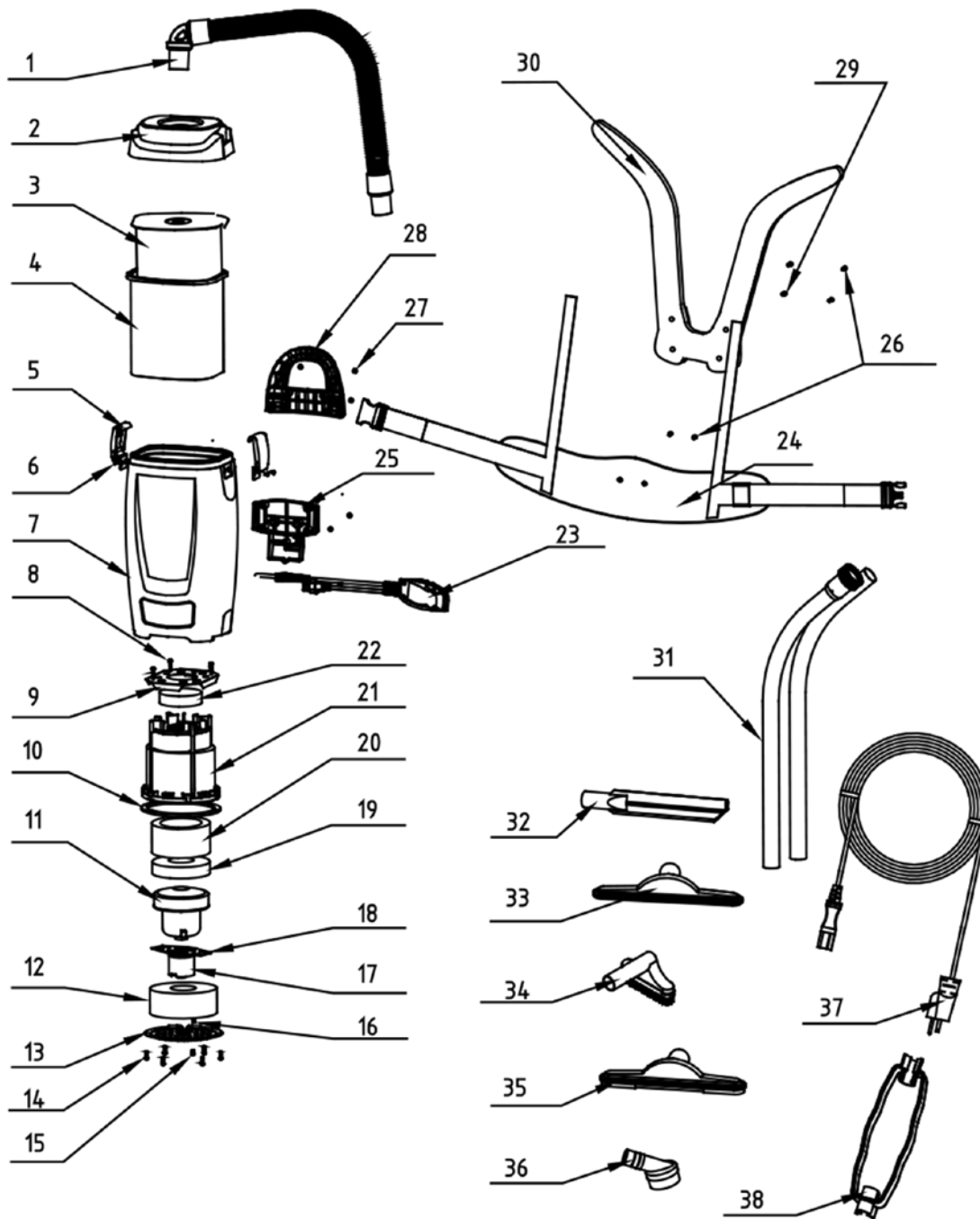
Causas posibles

1. La aspiradora no está enchufada
2. El tomacorriente no funciona
3. Protector térmico del motor activado por bloqueo
4. Interruptor ON/OFF defectuoso
5. Motor defectuoso

Soluciones

1. Verifique que la aspiradora esté conectada correctamente
2. Verifique la fuente eléctrica
3. Deje que la aspiradora T750 se enfríe, luego verifique que los conductos de la aspiradora y el filtro no estén obstruidos
4. Póngase en contacto con un técnico autorizado
5. Póngase en contacto con un técnico autorizado

LISTA DE PIEZAS



LISTA DE PIEZAS DE LA MOCHILA T750

No.	Nro. de Pieza	Descripción	No.	Nro. de Pieza	Descripción	No.	Nro. de Pieza	Descripción	No.	Nro. de Pieza	Descripción
1	14-1123-61	Conjunto de manguera	11	17-8514-02	Motor	21	17-8924-07	Cubierta del motor	31	14-1904-66	Tubo de aluminio 2PC
2	17-2520-08	Tapa	12	17-8900-05	España de escape	22	17-2336-02	Filtro pre-motor	32	17-1802-61	Boquilla rinconera
3	17-2430-07	Bolsa de papel	13	17-8902-03	Cubierta inferior	23	17-9310-07	Caja del interruptor	33	14-1517-08	Herramienta de piso descubierto
4	17-2200-05	Bolsa de tela	14	17-8904-01	Tornillo de la tapa inferior	24	17-7840-00	Correa de cintura	34	14-1702-05	Herramienta de tapicería
5	17-7502-09	Conjunto de cierre de tapa	15	17-8906-09	Tornillo de conexión a tierra	25	17-7841-09	Placa de montaje de correa de cintura	35	14-1411-05	Herramienta de alfombra
6	17-7503-08	Tornillo de cierre de tapa	16	17-8908-07	Tuerca de conexión a tierra	26	17-7542-01	Tornillo de correa de cintura	36	14-1607-09	Cepillo para polvo
7	17-7835-07	Cuerpo	17	17-8914-09	Montaje del motor	27	17-6410-02	Tornillo del agarre de transporte	37	14-5411-06	Cuerda
8	17-2523-05	Tornillo de soporte de bolsa	18	17-8916-07	Deflector térmico	28	17-6310-03	Agarre de transporte	38	17-5600-04	Clip de cable
9	17-2522-06	Soporte de bolsa	19	17-8918-05	Sello del motor	29	17-7543-00	Tornillo de correa para el hombro			
10	17-8920-01	Sello de la cubierta del motor	20	17-8922-09	España de silenciador	30	17-7842-08	Bandolera			

THE TITAN T750 GARANTÍA LIMITADA

LO QUE CUBRE ESTA GARANTÍA

Se garantiza que la aspiradora comercial TITAN T750 está libre de defectos de material y mano de obra para el uso normal POR UN PERÍODO DE UN AÑO. La garantía se otorga únicamente al comprador original de la aspiradora. La garantía está sujeta a las siguientes disposiciones.

LO QUE ESTA GARANTÍA NO CUBRE

- **Partes de la aspiradora que requieren reemplazo de acuerdo al uso normal, como por ejemplo bolsas, filtros y correas.**
- **Daños por mal funcionamiento causados por negligencia, abuso o uso no conforme con la Guía del Propietario.**
- **Defectos o daños causados por un servicio no autorizado o el uso de piezas que no sean TITAN.**

Un aspiradora defectuosa o una parte de la misma que esté cubierto por esta garantía será reparado o reemplazado a opción del distribuidor. Como cuestión de política de garantía, no se reembolsará el precio de compra del consumidor.

No se reconocen las ventas por Internet. La garantía es nula si la unidad se compra en eBay o en cualquier otro sitio de Internet no autorizado.

RENUNCIA Y EXCLUSIÓN DE OTRAS GARANTÍAS

EXCEPTO POR LA GARANTÍA LIMITADA ESTABLECIDA EXPRESAMENTE POR ESCRITO EN ESTA PÁGINA, NO SE OFRECE NINGUNA GARANTÍA EXPRESA O IMPLÍCITA CON RESPECTO A LAS MERCADERÍAS Y QUEDAN EXPRESAMENTE EXCLUIDAS, INCLUYENDO (A) CUALQUIER GARANTÍA EXPRESA O IMPLÍCITA; Y (B) CUALQUIER GARANTÍA DE APTITUD PARA UN PROPÓSITO EN PARTICULAR. ESTE DESCARGO DE RESPONSABILIDAD Y EXCLUSIÓN DE GARANTÍAS INCLUYE GARANTÍAS EXPRESAS O IMPLÍCITAS POR PARTE DE LA LEY, QUE SE RECLAMEN EN EL CURSO DE NEGOCIACIÓN, DESEMPEÑO, USO DEL COMERCIO O DE ALGÚN OTRO MODO.

Para obtener más información o reclamar una garantía, regístrese en TitanVacs.com o llame al 1-844-202-9927.

Gracias por tu compra reciente.

**T
I
T
A
N**

T750